

Cam-Lok® “J” Power Series



All Cam-Lok part numbers available in convenient, single-use, color-coded packaging.

NON-VULCANIZED		MALE PLUG		
COLOR	CABLE SIZE	COMPLETE PART NO.	CONTACT ONLY PART NO.	INSULATOR ONLY PART NO.
CRIMP	BLACK	E1016-8012	A200036-19	A200074-19
	RED	E1016-8014		A200074-21
	GREEN	E1016-8016		A200074-23
	WHITE	E1016-8017		A200074-24
	BLUE	E1016-7702		A200074-38
	BROWN	E1016-8000		A200074-47
	ORANGE	E1016-8015		A200074-22
	YELLOW	E1016-8013		A200074-20

NON-VULCANIZED		FEMALE PLUG		
COLOR	CABLE SIZE	COMPLETE PART NO.	CONTACT ONLY PART NO.	INSULATOR ONLY PART NO.
CRIMP	BLACK	E1016-8062	A200037-24	A200075-19
	RED	E1016-8064		A200075-21
	GREEN	E1016-8066		A200075-23
	WHITE	E1016-8067		A200075-24
	BLUE	E1016-7718		A200075-44
	BROWN	E1016-8001		A200075-52
	ORANGE	E1016-8065		A200075-22
	YELLOW	E1016-8063		A200075-20

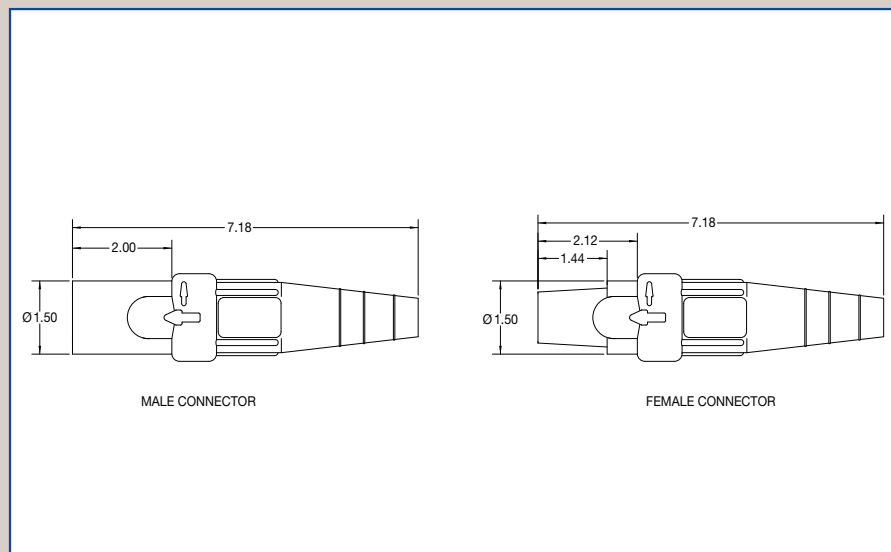


E1016-8014



E1016-8066

E1016 Series



CAM-LOK “J” POWER SERIES
RECEPTACLES AND PLUGS PROVIDE THE MEANS TO QUICKLY CONNECT AND DISCONNECT POWER SYSTEMS SAFELY AT CONCERTS AND CARNIVALS AS WELL AS CONNECTING GENERATORS, STANDBY POWER, AND LOAD TESTING IN HOSPITALS, UTILITIES AND HEAVY INDUSTRIAL ENVIRONMENTS.

RATINGS: 600 Volts UP TO 235 AMPERES CONTINUOUS

STANDARD MATERIALS
CABLE SIZE: 1/0 - 2/0
CONNECTOR BODY: TPE
CONTACT: BRASS

AGENCY APPROVALS
UL LISTED E67181
CSA CERTIFIED LR13963

ENVIRONMENTAL RATING: NEMA 3R